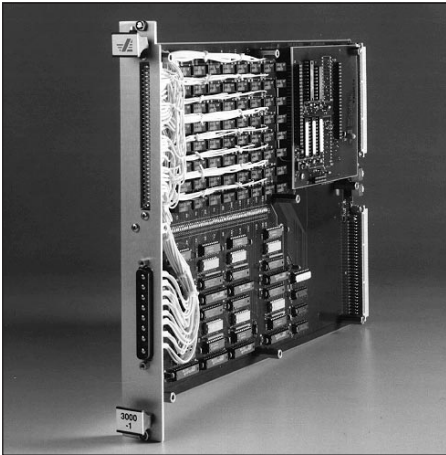


MODEL 3000-1

ASCOR Model 3000-1 VXI Power Switch



ASCOR's Model 3000-1 high-density VXI Power Switching Module – with its eight 8x1 switch trees – provides the highest degree of power distribution flexibility available in a single slot, with the ability to handle up to eight independent power supplies.

High Density Power Switching

ASCOR has designed a comprehensive family of versatile, pre-customized VXI Switching Modules – each tailored to its specific function, in order to minimize customer integration chores.

The Model 3000-1, with its eight 8x1 switch trees, provides a flexible, high-density Power Switching environment that can be simply plugged in and easily programmed to handle a variety of power supply combinations – four 2 wire or two 4 wire or one 8 wire.

Powerfully Built

Each of a Model 3000-1's eight switch trees is individually switched and each is designed to handle 15 amps on the input. The input connector is a D series 8W8 (8 contacts).

Each tree contains eight relays, capable of handling 5 amps each, leading to Airborn WTA66 output connectors rated at 5 amps. One or more relays per tree may be closed simultaneously.



A Giga-tronics Company

MODEL 3000-1

ASCOR Model 3000-1 VXI Power Switch



ASCOR's Model 3000-1 Power Switch is a single-slot VXI module designed to handle up to eight independent power supplies.

Self Testing

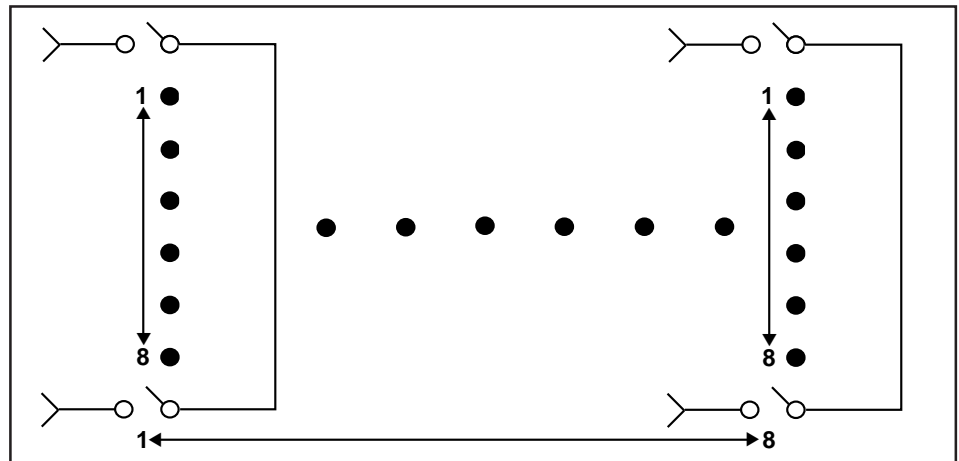
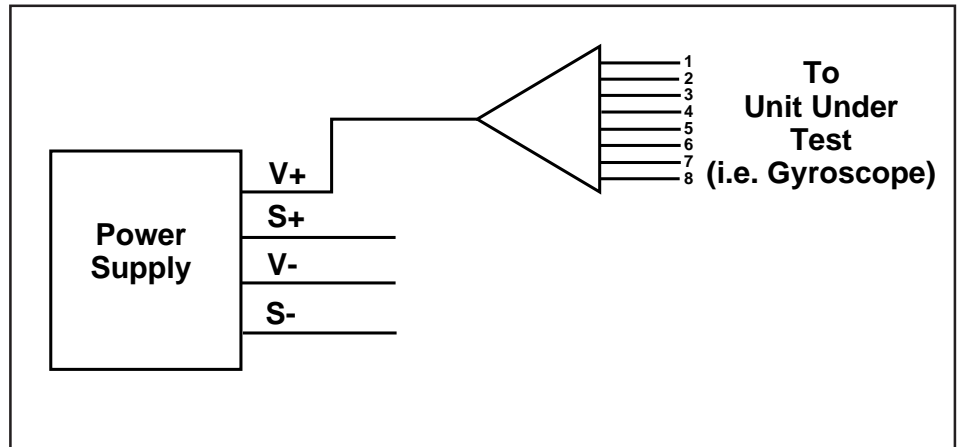
Like all ASCOR VXI Modules, the Model 3000-1 incorporates internal self test hardware which includes the ability to test, read back and verify the integrity of the program control circuitry, including the relay coils within the Module.

All ASCOR VXI Modules also feature a unique built-in service record, for tracking repairs to the Module by time and date the repair was actually performed.

ASCOR also provides a 3 year limited warranty on all VXI Modules.

Quiet Ideas. Powerful Solutions.

ASCOR, founded in 1987 and headquartered in California's Silicon Valley, provides a complete line of VXI Switching and Digital Modules for industrial, medical, scientific and governmental automatic test applications. Ascort VXI products are the quietest, cleanest, highest density VXI modules commercially available.



Specifications

- Noninductive Load
- Max Switched Power: 150 W or 1250 VA
- Max Switched Current: 5 Amps
- Max Switched Voltage: 150 VDC or 250 VAC
- UL Rating: 5 Amps at 30 VDC or 250 VAC 1/10 HP at 120 VAC
- VXI Power:
+ 5 Volts @ 1.05 Amps (max.)

Environmental Specifications

- Temperature:
 - Operating: 0° to 55° C
 - Storage: -40° to 75° C
- Relative Humidity:
 - Operating: 10 to 90 % non-condensing
 - Storage: 0 to 95% non-condensing

Distributor Information:



A Giga-tronics Company

4384 Enterprise Place, Fremont, CA 94538-6365
Telephone: (510)490-2300, Fax: (510)490-8493, Website: www.ascor-inc.com

©1999 ASCOR Incorporated. Specifications are subject to change without notice. 9/99